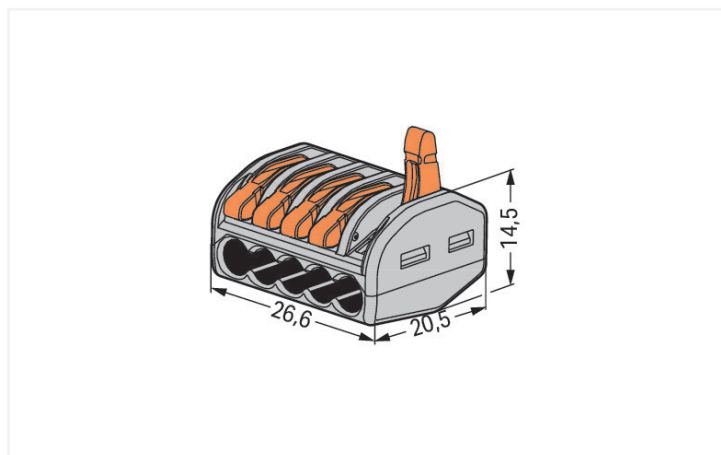


規格書 | 產品型號: 222-415

CLASSIC 導線連接器; 適用於所有導線類型; 最大 4 mm²; 5-線式; 帶壓桿; 灰色外殼; 環境溫度: 最大 40 °C; 2,50 mm²; 灰色



顏色: ■ 灰色



尺寸 (mm)

備註

安全資訊

接地電源線

電氣資料

額定值	EN 60664		
Overvoltage category	III	III	II
Pollution degree	3	2	2
額定電壓	-	-	400 V
額定脈衝電壓	-	-	4 kV
額定電流	-	-	32 A

連接資料

連接點總數	5
總電位數	1

連接 1	
連接技術	CAGE CLAMP®
操作類型	壓桿
可連接導線材料	銅
單芯導線	0.08 ... 2.5 mm ² / 28 ... 12 AWG
多芯導線	0.08 ... 2.5 mm ² / 28 ... 12 AWG
細多芯導線	0.08 ... 4 mm ² / 28 ... 12 AWG
剝線長度	9 ... 10 mm / 0.35 ... 0.39 inches
接線方向	側面接線

物理數據	
寬度	26.6 mm / 1.047 inches
高度	14.5 mm / 0.571 inches
深度	20.5 mm / 0.807 inches

材質資料	
材質資料說明	Information on material specifications can be found here
顏色	灰色
可燃性等級依照 UL 94	V0
火負載	0.129 MJ
驅動器顏色	橙色
重量	6.6 g

環境要求	
周圍空氣溫度 (操作時)	+40 °C
連續操作溫度	85 °C

商業資料	
Product Group	7 (Push Wire Conn.)
eCl@ss 10.0	27-14-11-04
eCl@ss 9.0	27-14-11-04
ETIM 8.0	EC000446
ETIM 7.0	EC000446
PU (SPU)	400 (40) 個
包裝類型	Box
產地	DE
GTIN	4044918464956
海關稅則	85369010000

Environmental Product Compliance	
RoHS Compliance Status	Compliant, No Exemption

認證 / 證書

General approvals



認證	其他認證資訊	認證名稱
ENEC 15 UL International Demko A/S	EN 60998	ENEC-01360
UL_Listed_64KA UL International Germany GmbH	UL 467	E201573
UL UL International Germany GmbH	UL 486C	E69654

Declarations of conformity and manufacturer's declarations

認證	其他認證資訊	認證名稱
EU-Declaration of Conformity WAGO GmbH & Co. KG	-	-
UK-Declaration of Conformity WAGO GmbH & Co. KG	-	-

Approvals for marine applications



認證	其他認證資訊	認證名稱
ABS American Bureau of Shipping	-	18-HG1755093-PDA
DNV GL Det Norske Veritas, Germanischer Lloyd	EN 60998	TAE000015T
LR Lloyds Register	EN 60998	LR22207029TA

1 相容產品

1.1 可选附件

1.1.1 安裝聯結器

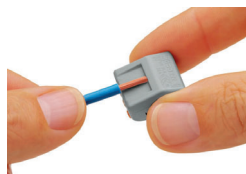
1.1.1.1 安裝附件



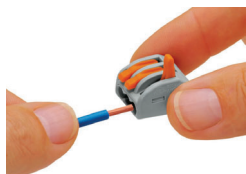
型號: 222-500
安裝支架; 222系列; 適用於TS35導軌安裝 / 螺絲安裝; 橙色

安裝說明

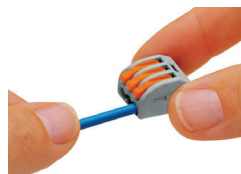
透過操作工具連接導線



Strip conductor to 9 ... 10 mm (0.35 ... 0.39 inch).



Termination: Lift the lever to open the clamping unit and insert a stripped conductor.



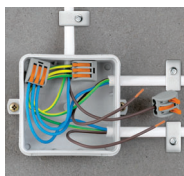
Then, lower the lever to close the clamp.

測試



Testing via Profi-LED+ voltage tester (206-806).

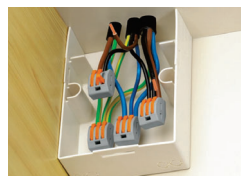
應用



Wiring fine-stranded conductors in junction boxes.



Custom low-voltage lighting system



Connecting pre-wired and pre-fabricated components (e.g., in mobile homes).



Lighting fixture connection with fine-stranded wires and power feed



Compact, lever-operated splicing connectors:

They connect up to five stripped, fine-stranded conductors from 0.08 to 4 mm² (28 ... 12 AWG), as well as solid or stranded conductors from up to 2.5 mm² (12 AWG) – without tools!

How they work:

Pull up one of the orange operating levers to open the clamping unit so that the lever engages and keeps the clamp in its open position. Then insert the conductor and push the lever back down, flush with the connector housing.

Safety:

The lever's specially designed rest position reliably prevents accidental unclamping of a connected conductor. Application safety, for any type of conductor (solid, stranded, fine-stranded), is confirmed by approvals like ENEC or UL.

ENEC is the European mark for electrical products that demonstrates compliance with European safety standards. The ENEC mark is subjected to the same EN standards as the VDE mark.

While the VDE mark is only permitted in Germany, the ENEC mark is accepted in more than 20 European countries.